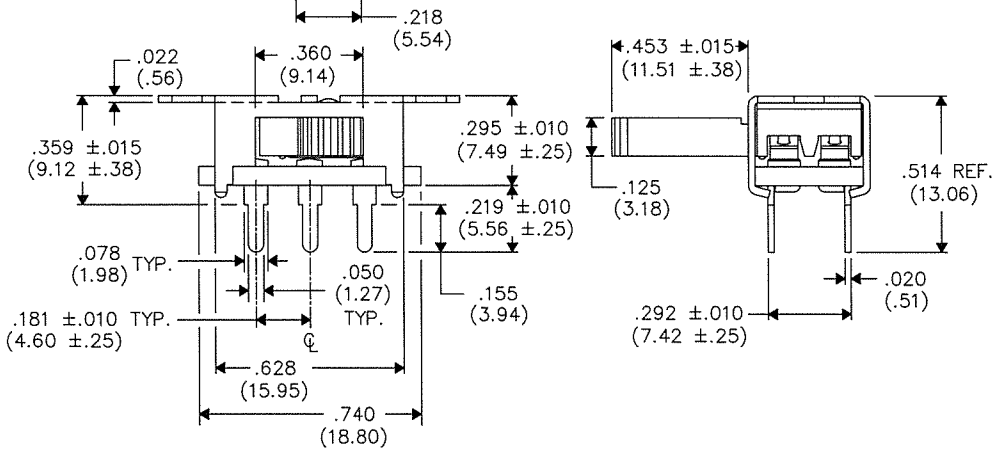
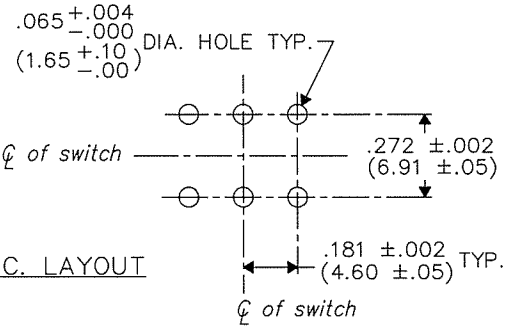
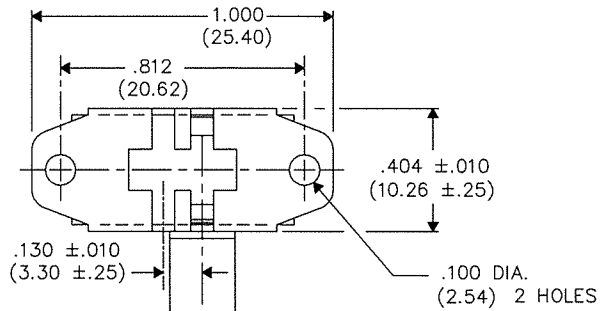


DIMENSIONS IN INCHES (MILLIMETERS)  
DO NOT SCALE DRAWING .....

Dwg. No.  
GI-152-0008



E  
D  
C  
B  
A

1 2 3 4 5 6 7 8 9 10

FORM-B3  
REVISIONS  
0  
RELEASED:  
DGW 2-25-2004  
FEB. 26, 2004

**ATTENTION**  
THIS DRAWING AND ITS ATTACHMENT, IF ANY, ARE PROPRIETARY TO CW INDUSTRIES AND DESCRIBE DESIGNS THAT ARE CONFIDENTIAL AND MUST NOT BE DISCLOSED UNLESS AUTHORIZED, IN WRITING, BY AN OFFICER OF CW INDUSTRIES.....

PDF File Made  
ID. No.

<b>CW INDUSTRIES</b> Southampton, Pa. 18966	
TOLERANCES UNLESS OTHERWISE SPECIFIED	
2 Place Decimal ±.010	METRIC
3 Place Decimal ±.005	1 Place Dec. ±.25mm
Angles ..... ±1°	2 Place Dec. ±.13mm
Made for: CW IND.	
Drawn by: DGW 2-25-2004	
Checked by: GG 2-26-04	
Approval: BF 2-26-4	

Title: MINI SWITCH ASSEMBLY D.P.D.T.  
Division: SWITCH  
Dwg. No. GI-152-0008